

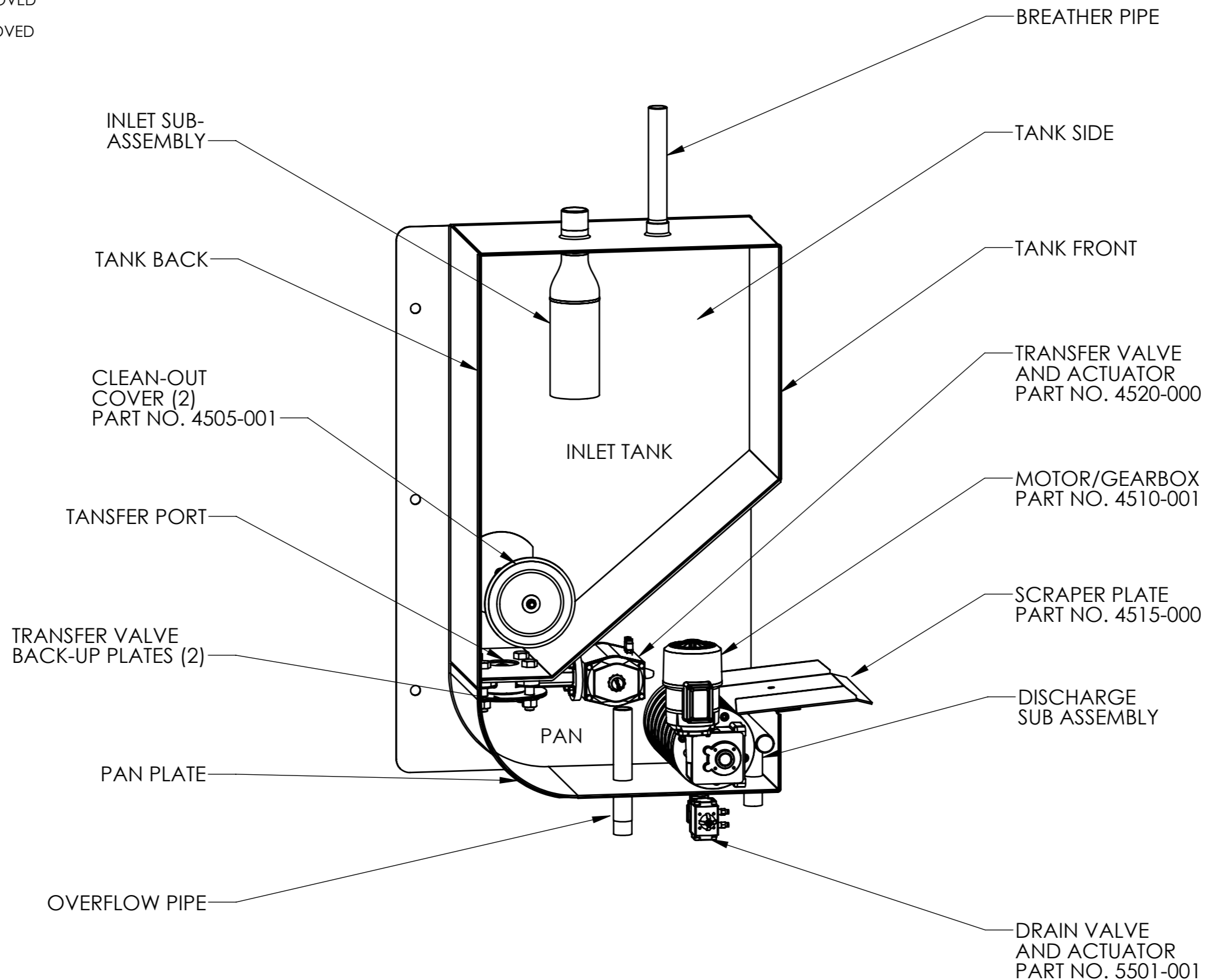
MACHINING LIMITS TO  
BE ± .10mm UNLESS  
OTHERWISE STATED

ISSUE NO.	1	2	3	4					
DATE	13 MAR 09	16 MAR 09	20 MAR 09	28 JUN 09					

**THIRD ANGLE PROJECTION**

ISSUE CONTROL NOTES:

- ISSUE 1 ORIGINAL
- ISSUE 2 SHEET NO CORRECTED TO 14
- INLET 3 DIFFUSER CHANNEL REMOVED
- ISSUE 4 PART NUMBERS ADDED  
DISCHARGE VALVE REMOVED



ALL DIMENSIONS ARE IN MILLIMETERS [INCHES]



TITLE **SMART DRUM MAGNETIC SEPARATOR  
PRINCIPAL COMPONENTS**

MATL:	DRAWN:	WFSH
SPECN:	CHECKED:	WFSH
No OFF:	DATE:	04 JUL 08